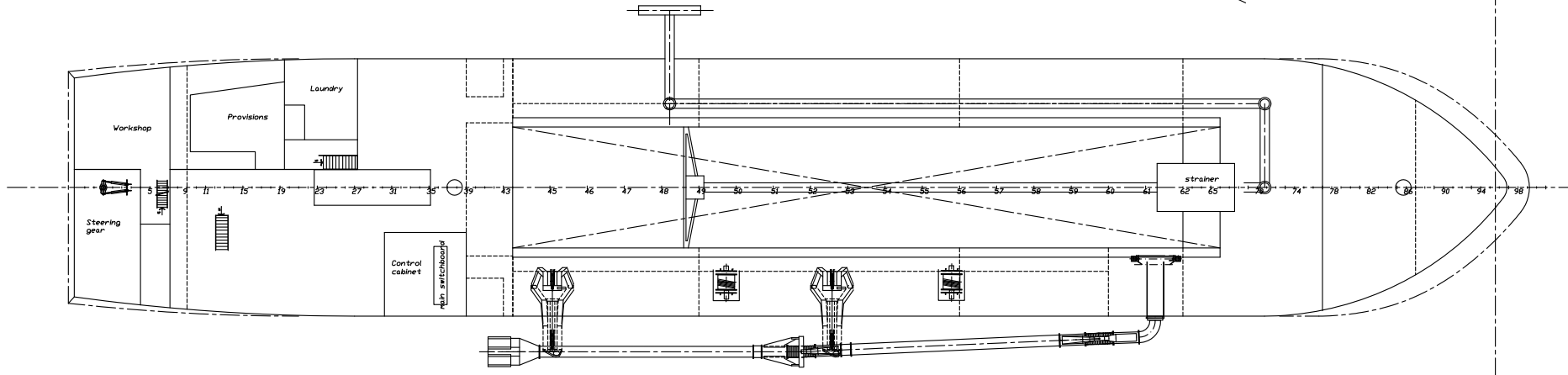
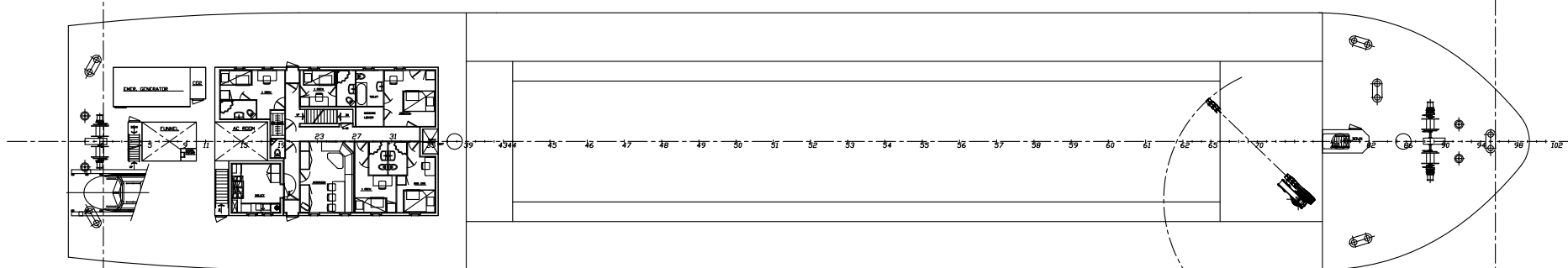


Main characteristics

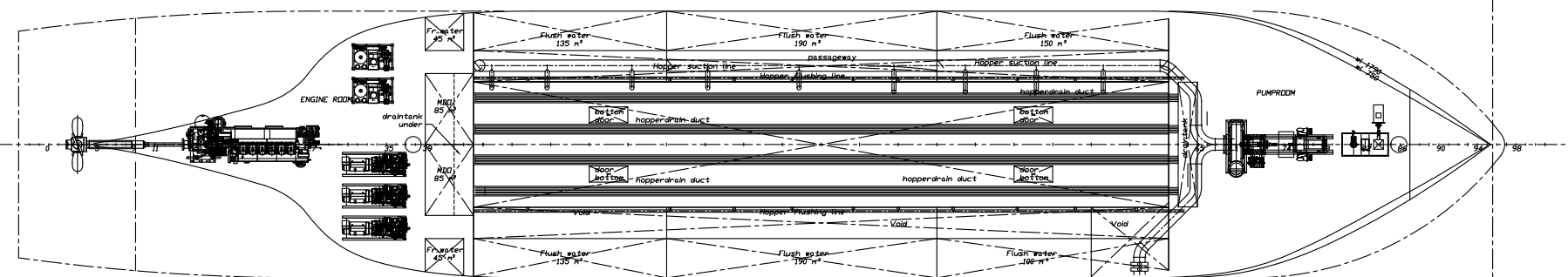
Length over all	94,80 m.
Length betw. pp	89,80
Moulded breadth	16,60
Moulded depth	8,00
Summerdraught	6,45
Dredging draught	7,15
Deadweight summerdraught	5900 ton
Deadweight dredging draught	6725 ton
Hopper capacity (to lowest edge of overflow)	2800 m ³
Propulsion	2388 kw
Trial speed at 6,40 m.	11 kts.
Dredging depth	abt. 30 m

This drawing is subject to copyrights and is the exclusive property of TECHNOMAR ENGINEERING B.V. in Sneek, the Netherlands. It has been submitted in connection with the transaction it pertains to only. It is not to be traced, copied, scanned, digitized or in any other way duplicated without the written permission of TECHNOMAR ENGINEERING B.V. or used in any manner detrimental to the interests of TECHNOMAR ENGINEERING B.V. and shall be returned upon request.

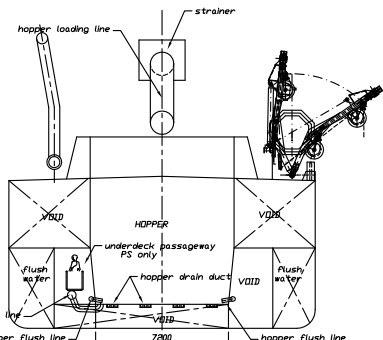
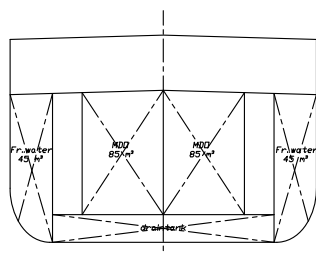
FORECASTLE



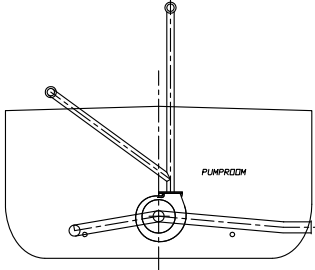
DOUBLE BOTTOM



Section fr. 43



Section over pumproom



File: Nieuwboer\algplan.dwg

B	04/03/14	General update
A	19/06/13	Lengthened 4.80 m/Flushwater tanks/hoppercapacity
Mod	date	description
TECHNOMAR ENGINEERING B.V. P.O. BOX 1 4254 ZG SLEEUWIJK HOLLAND TEL: 0183-304417 FAX: 0183-301761		
Project 2800 m ³ Trailing suction hopperdredger		
title:		client:
drawn: J.W.P.		MCR Shipping B.V.
date 24-08-12		Heusden
scale: 1:200		dwg. 01
General Arrangement Plan		